

PLEASE CHECK WWW.MOLEX.COM FOR LATEST PART INFORMATION

Part Number: **0473121001**
Status: **Active**
Description: 2.54mm (.100") Pitch SIM Card Connector, 6 Circuits, Housing Height 1.30mm (.051"), Lead Free

Documents:

[Drawing \(PDF\)](#) [RoHS Certificate of Compliance \(PDF\)](#)
[Product Specification PS-47312-001 \(PDF\)](#)

General

Product Family	Memory Card Sockets
Series	47550
Button Type	N/A
Comments	Housing Height: 1.30mm (.051")
Component Type	Header/Socket (Host)
Product Name	SIM
Type	N/A

Physical

Card Detection Switch	No
Circuits (Loaded)	6
Circuits (maximum)	6
Durability (mating cycles max)	3,000
Ejector Button Side	No Ejector Button Present
Entry Angle	Horizontal, Side Entry, Vertical
Keying to Mating Part	None
Material - Metal	Phosphor Bronze
Material - Plating Mating	Gold
Material - Plating Termination	Gold
PC Tail Length (in)	0.000 In
PC Tail Length (mm)	0.00 mm
PCB Locator	No
PCB Mounting Side	Normal
PCB Retention	None
Packaging Type	Embossed Tape on Reel
Pitch - Mating Interface (in)	0.100 In
Pitch - Mating Interface (mm)	2.54 mm
Pitch - Term. Interface (in)	0.100 In
Pitch - Term. Interface (mm)	2.54 mm
Plating min: Mating (µin)	20
Plating min: Mating (µm)	0.50
Plating min: Termination (µin)	2
Plating min: Termination (µm)	0.05
Ports	0
Temperature Range - Operating	-40°C to +85°C
Termination Interface: Style	Surface Mount

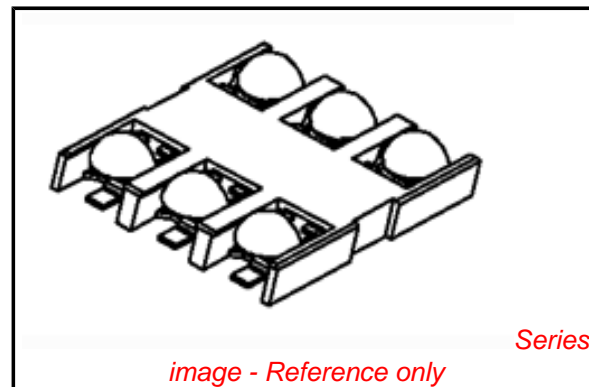
Electrical

Current - Maximum per Contact	0.5A
Shielded	No
Voltage - Maximum	50V DC
Voltage Key	N/A

Material Info

Reference - Drawing Numbers

Product Specification	PS-47312-001
-----------------------	--------------



EU RoHS

**ELV and RoHS
Compliant**
**REACH SVHC
Contains SVHC: No**
**Halogen-Free
Status**

China RoHS



Not Reviewed

**Need more information on product
environmental compliance?**

Email productcompliance@molex.com
For a multiple part number RoHS Certificate of Compliance, [click here](#)

Please visit the [Contact Us](#) section for any non-product compliance questions.

Search Parts in this Series

[47550Series](#)

Mates With

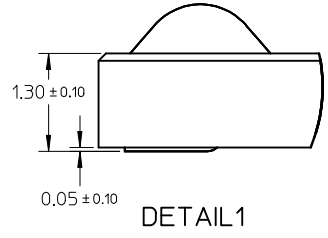
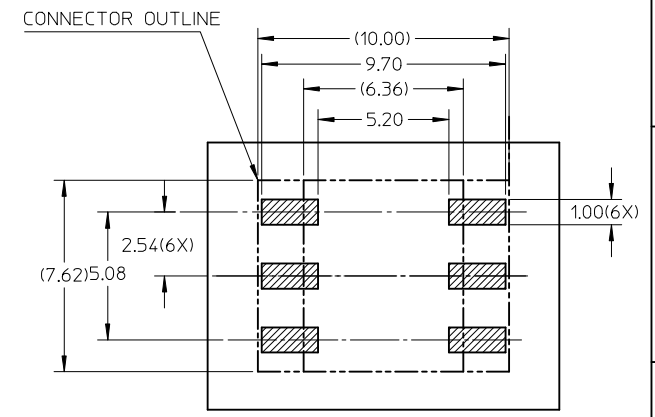
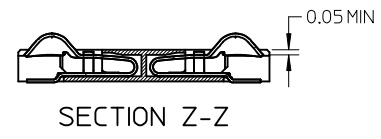
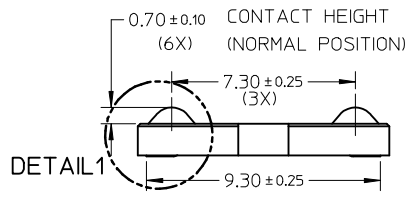
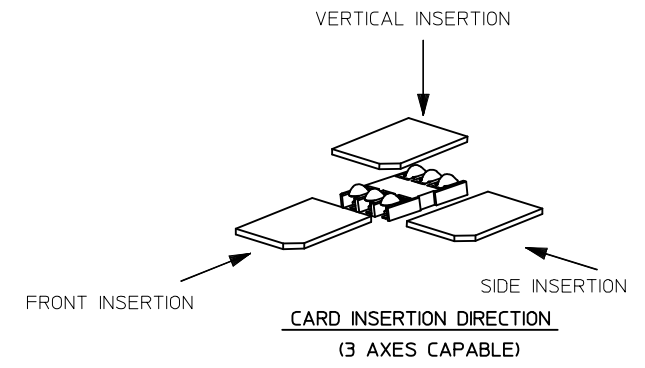
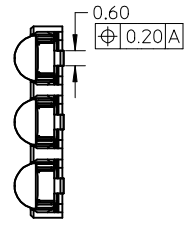
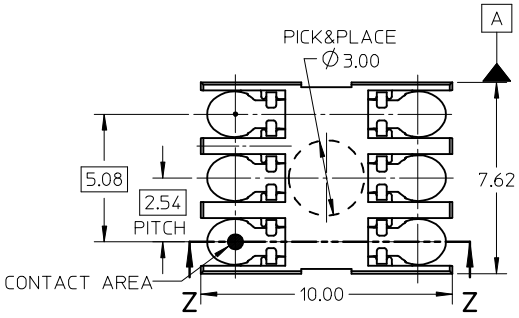
Standard SIM Card

Use With

SIM Card

This document was generated on 05/17/2010

PLEASE CHECK WWW.MOLEX.COM FOR LATEST PART INFORMATION



NOTES:

- 1.MATERIAL
HOUSING:LCP 30% GLASS FILLED,UL94 V-0,BLACK
TERMINAL:PHOSPHOR BRONZE 0.12MM THICKNESS
- 2.PLATING
CONTACT AREA--0.5 MICROMETER MIN GOLD
SOLDER TAIL--GOLD FLASH
UNDERPLATING--2 MICROMETER NICKEL OVERALL
- 3.PRODUCT COMPLIANT TO ROHS DIRECTIVE 2002/95/EC
AND ELV DIRECTIVE 2000/53/EC

NEW RELEASE	EC NO: 2008/10/16	DRWN:YPMU CHKD:YLZHU02	APPR:	DESCRIPTION	QUALITY SYMBOLS	GENERAL TOLERANCES (UNLESS SPECIFIED)		DIMENSION STYLE	SCALE	DESIGN UNITS	THIRD ANGLE PROJECTION
					▼=0 ▽=0	mm	INCH	MM ONLY	5:1	METRIC	
						4 PLACES ± --- ± ---	DRAWN BY	DATE	TITLE		
						3 PLACES ± --- ± ---	LHSHEN	2006/10/10	1.3 HEIGHT BLOCK SIM CONNECTOR SALES DRAWING		
	2 PLACES ± 0.10 ± ---	CHECKED BY	DATE								
	1 PLACE ± 0.20 ± ---	XUXIANG	2006/10/15	MOLEX INCORPORATED							
	ANGULAR ± 2°	APPROVED BY	DATE	DOCUMENT NO.							
		JENNY	2006/10/15	SD-47312-101							
		MATERIAL NO.		SHEET NO.							
		473121001		1 OF 1							
		SIZE		THIS DRAWING CONTAINS INFORMATION THAT IS PROPRIETARY TO MOLEX INCORPORATED AND SHOULD NOT BE USED WITHOUT WRITTEN PERMISSION							
		A3									